

**ILLUSTRATED PARTS LIST**

**CUSTOMER MODEL NUMBER P5053CM**

**PRODUCT NUMBER 961 41 00-20**

**MFG. ID. NUMBER 96141002000**

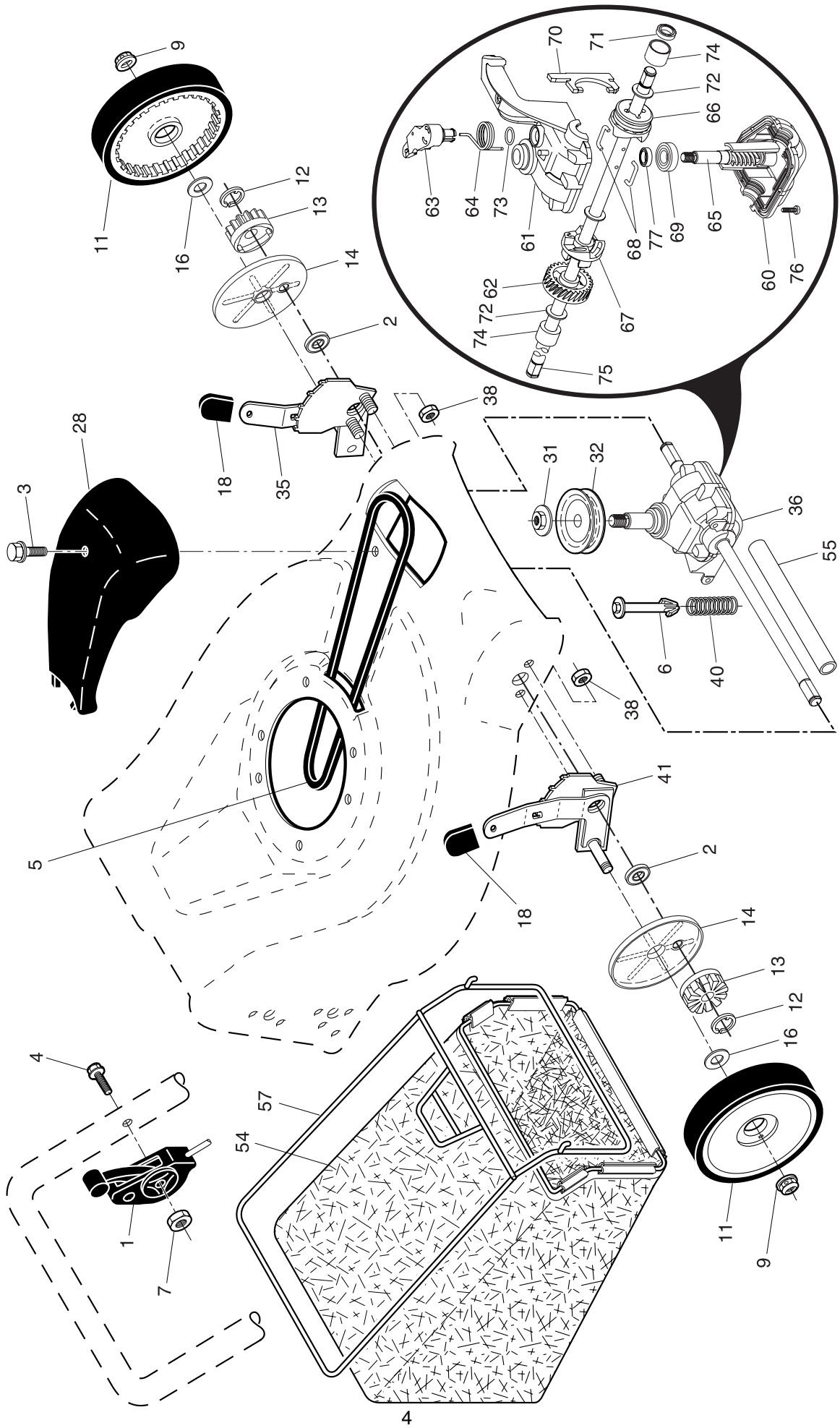


# ROTARY LAWN MOWER - - CUSTOMER MODEL NO. P6056CM (96141002000) PRODUCT NO. 961 41 00-20

KEY NO.	PART NO.	DESCRIPTION	KEY NO.	PART NO.	DESCRIPTION
1	532 19 25-17	Upper Handle	28	532 16 08-28	Shoulder Bolt 5/16-18 x .33
2	532 15 36-05	Lower Handle	30	532 18 57-07	Axle Arm Assembly, Rear, RH
3	532 14 67-71	Control Bar	31	532 17 54-77	Selector Knob
4	532 18 35-67	Engine Zone Control Cable	32	532 18 25-37	Selector Spring
5	532 19 15-74	Handle Bolt	33	873 80 05-00	Nut, Hex 5/16-18
6	532 12 86-38	Handle Knob	34	532 18 57-08	Axle Arm Assembly, Rear, LH
7	532 05 17-93	Hairpin Cotter	36	532 18 41-93	Bolt
8	532 06 64-26	Wire Tie	37	532 15 00-78	Thread Cutting Screw w/Sems 5/16-18 x 3/4
9	532 18 04-79	Rear Door Kit (Includes Key Numbers 16 and 17)	38	819 11 22-06	Washer
10	532 12 84-15	Pop Rivet	40	532 19 09-39	Mounting Bracket, Debris Shield
11	532 18 25-38	Support Bracket, LH	41	532 19 23-25	Screw, Debris Shield
12	532 18 25-39	Support Bracket, RH	43	532 18 87-84	Debris Shield
13	817 06 04-10	Screw 1/4-20 x 5/8	44	532 18 69-86	Lawn Mower Housing
14	532 18 25-43	Handle Bracket Assembly, LH			(Includes Key Numbers 10, 11, 12 and 45)
15	532 18 25-45	Handle Bracket Assembly, RH	45	532 18 21-66	Danger Decal
16	532 18 00-71	Spring, Rear Door, LH	46	532 18 46-32	Blade Adapter
17	532 18 00-72	Spring, Rear Door, RH	47	532 17 50-52	Blade 21"
18	532 13 20-04	Keps Locknut 1/4-20	48	532 85 10-74	Hardened Washer
19	532 17 95-85	Rope Guide	49	532 85 02-63	Helical Washer 3/8-24 x 1-3/8 Grade 8
20	532 17 92-05	Foot Guard, C.E.	50	532 85 10-84	Hex Head Machine Screw 3/8-24 x 1-3/8 Grade 8
21	532 05 45-83	Screw, Tapping 1/4-20 x 1/2	65	532 18 81-52	O-Ring
22	532 18 49-41	Engine Pulley	66	532 08 83-48	Washer, Flat 3/8
23	532 18 77-23	Hi-Pro Key	67	532 19 34-98	Kit, Bushing, High Wheel
24	- - -	Engine, Briggs & Stratton, Model Number 12F802 (order parts from engine manufacturer)	68	532 19 36-96	Bushing, Nylon, Black
25	532 15 04-06	Hex Head Thread Rolling Screw 3/8-16 x 1-1/8	96	532 19 27-70	Clip, Cable
26	532 08 39-23	Hex Flange Nut	- -	532 18 21-34	Decal, Self-Propelled, Internal (not shown)
27	532 18 91-59	Wheel & Tire Assembly	- -	532 19 56-63	Operator's Manual, European
			- -	532 19 56-64	Operator's Manual, Scandinavian

**NOTE:** All component dimensions given in U.S. inches. 1 inch = 25.4 mm. **IMPORTANT:** Use only Original Equipment Manufacturer (O.E.M.) replacement parts. Failure to do so could be hazardous, damage your lawn mower and void your warranty.

**ROTARY LAWN MOWER - - CUSTOMER MODEL NO. P6056CM (96141002000) PRODUCT NO. 961 41 00-20**



**ROTARY LAWN MOWER - - CUSTOMER MODEL NO. P6056CM (96141002000) PRODUCT NO. 961 41 00-20**

KEY NO.	PART NO.	DESCRIPTION	KEY NO.	PART NO.	DESCRIPTION
1	532 18 45-88	Drive Control Assembly (Includes Cable)	54	532 19 54-50	Grassbag Assembly
2	532 16 73-87	Bearing, Wheel Adjuster	55	532 17 57-39	Driveshaft Cover
3	532 17 52-62	Pan Head Tapping Screw #10-24 x 2-3/4	57	532 18 88-15	Frame, Grassbag
4	532 15 87-55	Hex Washer Head Screw 1/4-20 x 2.12	60	532 18 34-97 *	Case, Lower
5	532 17 54-36	V-Belt	61	532 18 34-98 *	Case, Upper
6	532 15 04-95	Spring Retainer	62	532 18 34-99	Gear, 27 Teeth
7	532 19 17-30	Nut, Hex, Flanged 1/4-20	63	532 18 35-00	Lever, Clutch
9	532 14 52-12	Locknut, Hex	64	532 18 35-01	Spring, Return
11	532 18 07-73	Wheel & Tire Assembly	65	532 18 35-02	Shaft, Input
12	812 00 00-58	E-Ring	66	532 18 35-03	Dog, Movable
13	532 13 70-54	Pinion	67	532 18 35-04	Dog, Fixed
14	532 18 94-03	Dust Cover	68	532 18 35-05	Wire, Formed
16	532 06 77-25	Washer 1/2 x 1-1/2 x .134	69	532 18 35-06	Bearing, Ball
18	532 08 78-77	Selector Knob	70	532 18 35-07	Fork, Shift
28	532 18 14-68	Drive Cover	71	532 18 35-08	Seal, Output Shaft
31	532 13 20-10	Hex Flange Nut	72	532 18 35-09	Washer
32	532 18 94-07	Drive Pulley	73	532 18 35-10	Seal, Case
35	532 15 15-21	Kit, Wheel Adjuster, LH (Includes Knob and Bearing)	74	532 18 35-11	Bushing
36	532 18 01-84	Gear Case Assembly, Complete	75	532 18 35-12	Shaft, Output
38	873 80 04-00	Locknut, Hex 1/4-20	76	532 18 35-13	Screw
40	532 13 70-90	Spring	77	532 18 35-14	Seal, Input Shaft
41	532 15 15-20	Kit, Wheel Adjuster, RH (Includes Knob and Bearing)			

\* Use Dow Corning #709 to reseal Gear Case Halves.

**NOTE:** All component dimensions given in U.S. inches. 1 inch = 25.4 mm. **IMPORTANT:** Use only Original Equipment Manufacturer (O.E.M.) replacement parts. Failure to do so could be hazardous, damage your lawn mower and void your warranty.